



# CONCRETE CRUSHER

# CC 420

**Compact and powerful!**



- Crushes concrete up to 40 cm (16 inches)
- Cuts reinforcements up to 28 mm (1,1 inches)
- A powerful lightweight  
— 38 t crushing force
- Excellent performance
- Only a small carrier required
- Ideally suited for demolition in tight places
- Specially wear resistant replaceable steel alloy crusher tips
- A built-in booster makes the crusher independent of the carrier's working pressure
- Pivot for 360° rotation

**darda**<sup>®</sup>

*We've got the power.*

# CONCRETE CRUSHER

# CC 420

## Maximum crushing force in a lightweight attachment!

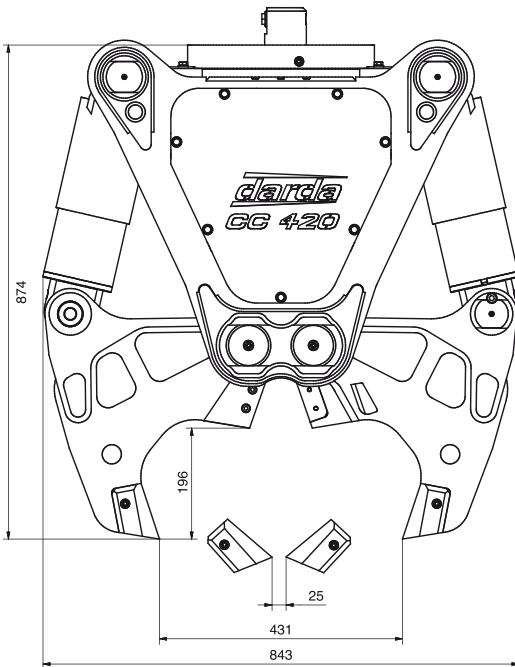
### Specifications CC 420

Measurements		
Total length <sup>1,2</sup>	874 mm	34,5 inches
Total width <sup>1</sup>	843 mm	33 inches
Total height	330 mm	13 inches
Maximum distance between crusher tips	420 mm	16,5 inches
Weights		
Total weight without mounting plate, approx.	240 kg	529 lbs.
Recommended weight of carrier	2,5 - 4,5 t	5511 - 9921 lbs.
Hydraulics		
Minimum pressure	17,5 MPa (175 bar)	2538 psi
Maximum pressure	27 MPa (270 bar)	3900 psi
Working pressure	50 MPa (500 bar)	7252 psi
Oil flow max.	100 l/ min	26,4 US gal/ min
Performance (at input pressure min 15, 5 MPa (155 bar))		
Maximum crushing force <sup>4</sup>	382 kN (38,2 t)	85877 lbf
Maximum cutting force <sup>5</sup>	1215 kN (124 t)	278762 lbf
Cutting capacity max.	D = 28 mm	D = 1,1 inches
Time to close <sup>3</sup>	ca. 2,3 s	ca. 2,3 s
Time to open <sup>3</sup>	ca. 1,8 s	ca. 1,8 s

<sup>1</sup> When completely extended. <sup>2</sup> Without mounting plate. <sup>3</sup> With an oil flow of approx. 70 l/min.

<sup>4</sup> Force at the crusher tips when open. <sup>5</sup> Force at the cutter blades.

Mounting plates for different carriers on request



# **darda**

*We've got the power.*

Darda GmbH  
Im Tal 1, D-78176 Blumberg  
Fon + 49 (0) 77 02 / 43 91 - 0  
Fax + 49 (0) 77 02 / 43 91 - 12  
info@darda.de  
www.darda.de

Our distributor :