



# CONCRETE CRUSHER

# CC 520

The reliable powerhouse!

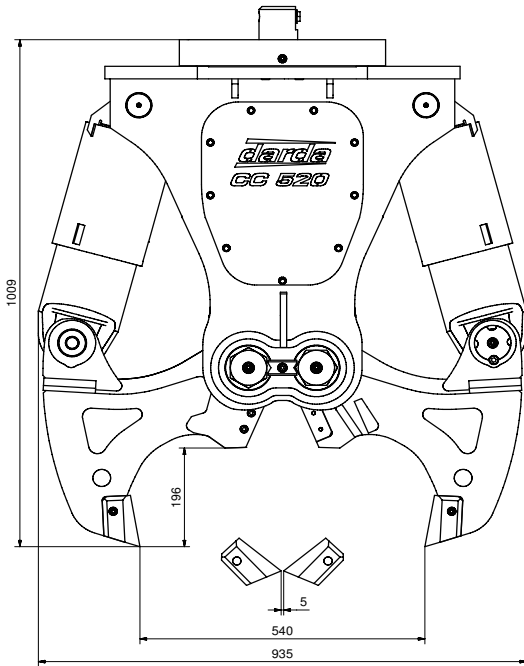


- Crushes concrete up to 54 cm (21 inches)
- Cuts reinforcements up to 28 mm (1 inch)
- Excellent performance
- Only a small carrier required
- Ideally suited for demolition in tight places
- A built-in booster makes the crusher independent of the carrier's working pressure
- Specially wear resistant replaceable steel alloy crusher tips and cutter blades
- Pivot for 360° rotation

**darda**<sup>®</sup>  
*We've got the power.*

# CONCRETE CRUSHER

# CC 520



## Sets the highest standards in productivity!

### Specifications CC520

Measurements		
Total length <sup>1,2</sup>	959 mm	38 inches
Total width <sup>1</sup>	924 mm	36 inches
Total height	400 mm	16 inches
Maximum distance between crusher tips	540 mm	21 inches
Weights		
Total weight without mounting plate, approx.	350 kg	772 lbs.
Recommended weight of carrier <sup>3</sup>	4 - 7 t	8819 - 15432 lbs.
Hydraulics		
Minimum pressure	17.5 MPa (175 bar)	2538 psi
Maximum pressure	27 MPa (270 bar)	3916 psi
Working pressure	50 MPa (500 bar)	7251 psi
Oil flow max.	100 l/min	26.4 US gal/min
Performance (at input pressure 17,5 MPa (175 bar))		
Maximum crushing force <sup>4</sup>	466 kN (48 t)	104760 lbf
Maximum cutting force <sup>5</sup>	1659 kN (186 t)	372958 lbf
Cutting capacity max.	D = 28 mm	D = 1 inch
Time to close <sup>6</sup> approx.	2.5 s	2.5 s
Time to open <sup>6</sup> approx.	2.1 s	2.1 s



<sup>1</sup> When completely extended. <sup>2</sup> Without mounting plate. <sup>3</sup> Depends on carrying capacity table of the mini-excavator manufacturer. <sup>4</sup> Force at the crusher tips when open. <sup>5</sup> Force at the cutter blades. <sup>6</sup> With an oil flow of approx. 70 l/min.

Mounting plates for different carriers on request.

# **darda**

*We've got the power.*

Darda GmbH  
Im Tal 1, D-78176 Blumberg  
Fon + 49 (0) 77 02 / 43 91 - 0  
Fax + 49 (0) 77 02 / 43 91 - 12  
info@darda.de  
[www.darda.de](http://www.darda.de)

Our distributor: